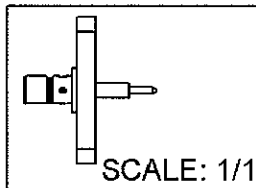
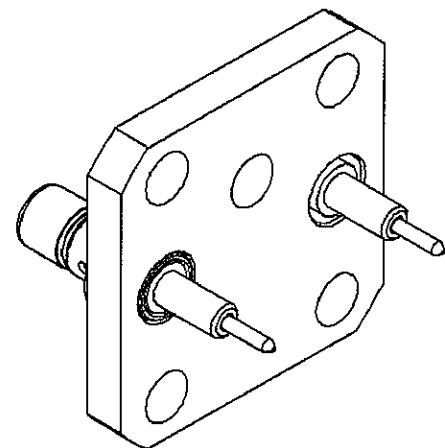
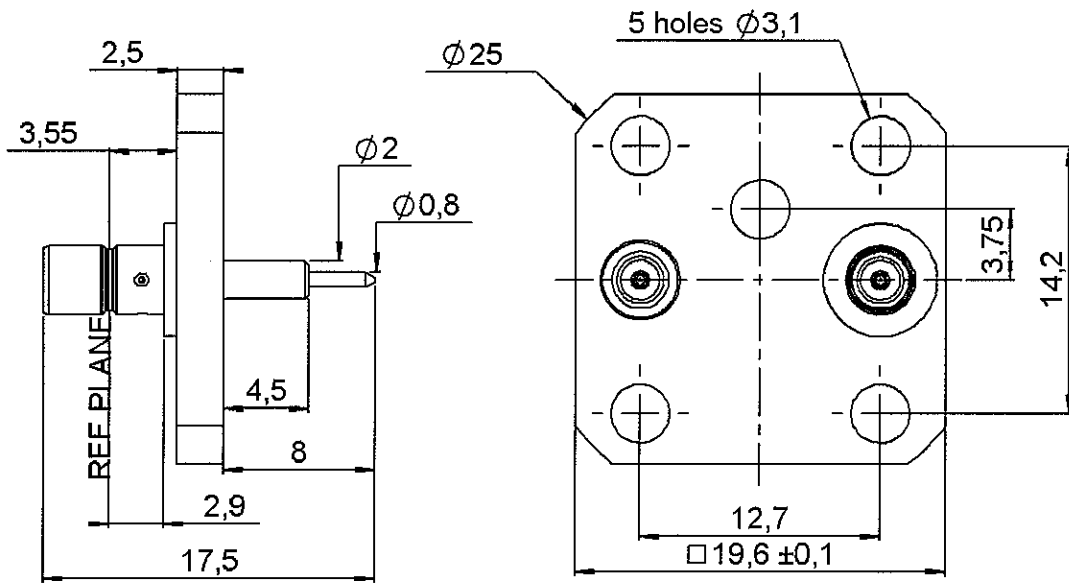


**DOUBLE STRAIGHT PLUG RECEPTABLE**

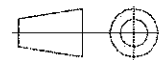
**R114.940.035**

**SINGLE FLANGE**

Series : SMB



All dimensions are in mm.



COMPONENTS	MATERIALS	PLATINGS (µm)
BODY	BRASS	NICKEL 5 OVER COPPER 2
CENTER CONTACT	BRASS	GOLD 0.8 OVER NICKEL 2
OUTER CONTACT	-	-
INSULATOR	PTFE	-
GASKET	-	-
OTHERS PARTS	BRASS	NICKEL 2
-	-	-
-	-	-

Issue : 0630 B

In the effort to improve our products, we reserve the right to make changes judged to be necessary.



**DOUBLE STRAIGHT PLUG RECEPTABLE**

**R114.940.035**

**SINGLE FLANGE**

Series : SMB

**PACKAGING**

**SPECIFICATION**

Standard	Unit	Other
30	-	Contact us

**ELECTRICAL CHARACTERISTICS**

**ENVIRONMENTAL**

Impedance	50	Ω
Frequency	0-4	GHz
VSWR	1.05* + 0,0200	x F(GHz) Maxi
Insertion loss	0.07	√F(GHz) dB Maxi
RF leakage	-( NA	- F(GHz)) dB Maxi
Voltage rating	335	Veff Maxi
Dielectric withstanding voltage	750	Veff mini
Insulation resistance	5000	MΩ mini

Operating temperature	-65/+165	° C
Hermetic seal	NA	Atm.cm3/s
Panel leakage	NA	

**OTHERS CHARACTERISTICS**

Assembly instruction

Others :

\* COAXIAL TRANSMISSION LINE ONLY

**MECHANICAL CHARACTERISTICS**

Center contact retention		
Axial force – Mating end	10	N mini
Axial force – Opposite end	10	N mini
Torque	NA	N.cm mini
Recommended torque		
Mating	NA	N.cm
Panel nut	NA	N.cm
Mating life	500	Cycles mini
Weight	7,9000	g

Issue : 0630 B

In the effort to improve our products, we reserve the right to make changes judged to be necessary.



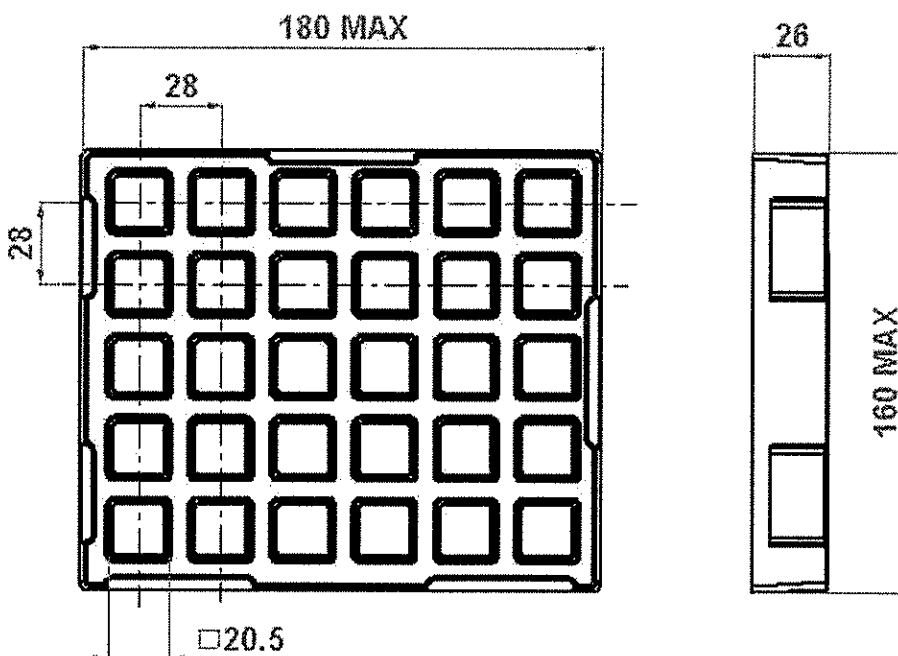
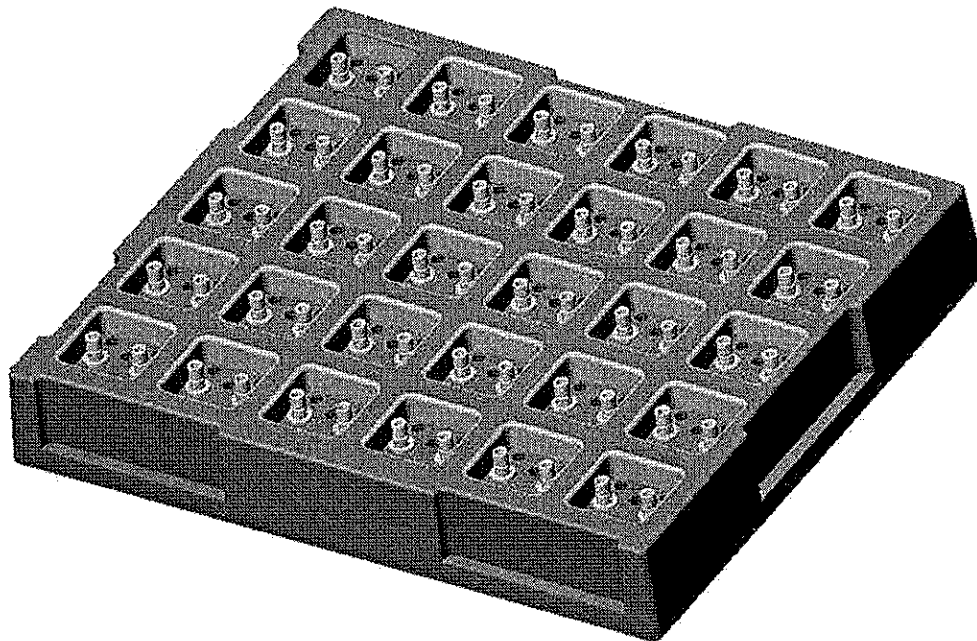
DOUBLE STRAIGHT PLUG RECEPTABLE

SINGLE FLANGE

**R114.940.035**

Series : SMB

**PACKAGING**



Issue : 0630 B

In the effort to improve our products, we reserve the right to make changes judged to be necessary.

